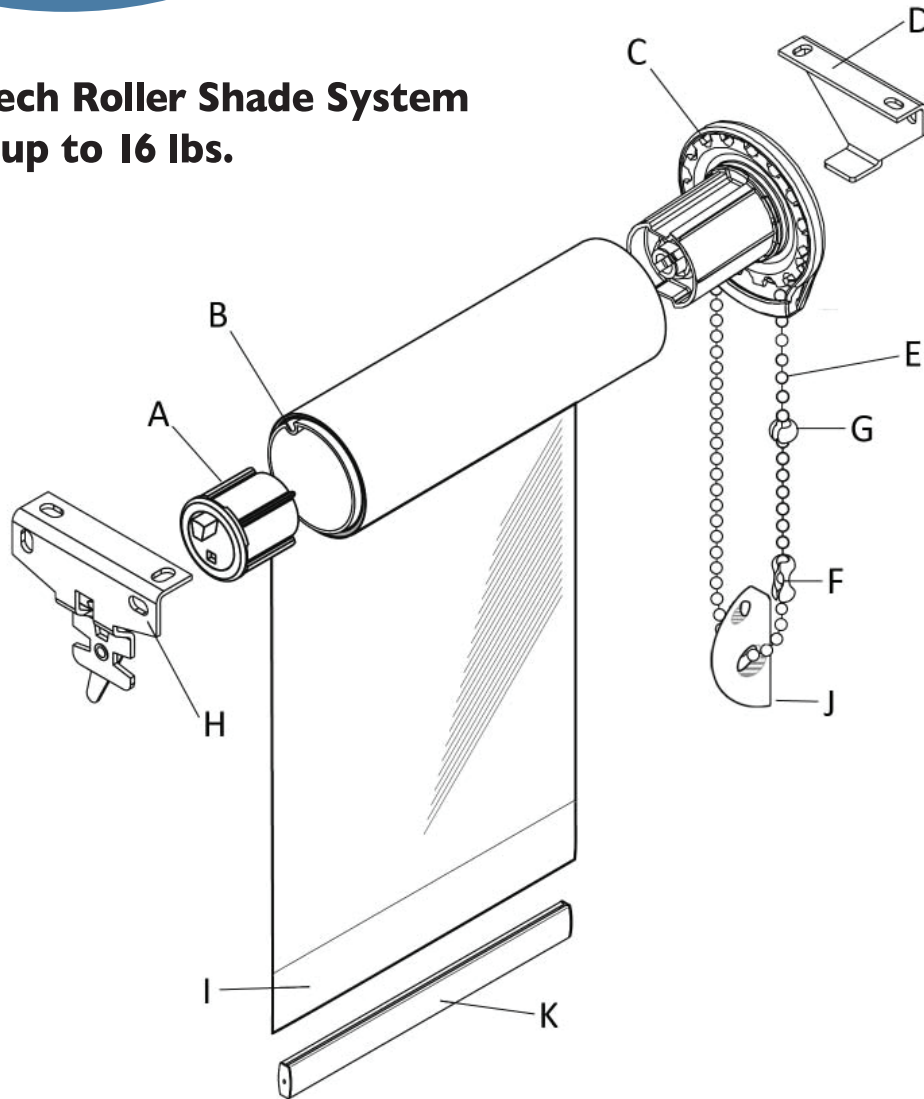


**Suntech Roller Shade System  
Lifts up to 16 lbs.**



**Legend**

- A - Idle End Plug
- B - Aluminum Roller Tube
- C - SUNTECHRS16 Clutch
- D - Clutch End Bracket
- E - Bead Chain
- F - Chain Connector
- G - Stop Bead
- H - Idle End Fascia Bracket
- I - RF Welded Hem Pocket
- J - Chain Tensioner
- K - Optional External Hem Bar

- ☼ Clutch Lift System has an up to 16 pound lifting capacity.
- ☼ Shades are raised and lowered by means of a continuous loop bead chain.
- ☼ The standard Hem Bar will be extruded aluminum and completely enclosed in a RF Welded Hem Pocket. Optional External Hem Bar is available.
- ☼ Optional spring assist or geared clutch reduces pull force allowing easy lifting of larger shades.
- ☼ Motorization options available.

