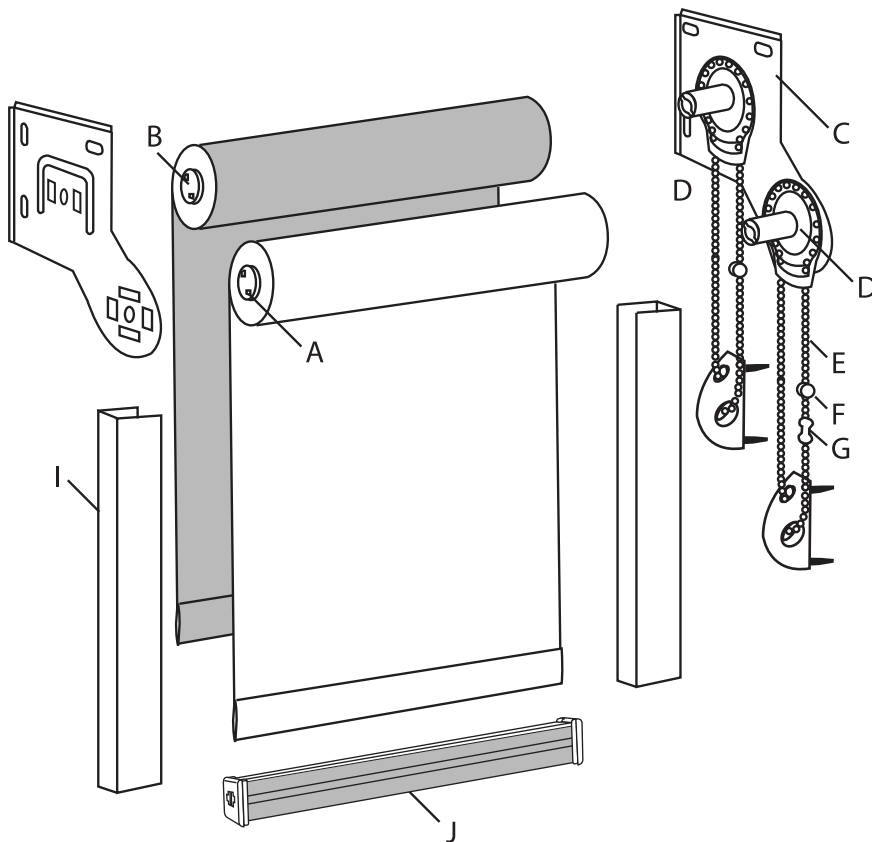


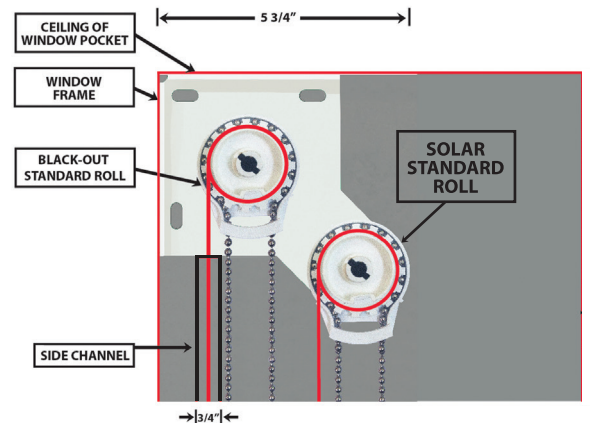
## Suntech Dual Roller Shade System with channels



### Legend

- A - Solar Shade Roller Tube
- B - Blackout Shade Roller Tube
- C - SBHPD2 Dual Shade Bracket
- D - Clutch Mechanism
- E - Bead Chain
- F - Stop Bead
- G - Chain Connector
- H - Welded Hem Pocket
- I - Side Channel
- J - Optional Advanced Hembar

### Model # - SBHPD2



\* DUO BRACKET PATENT PENDING

- ☀ Clutch lift system has a 16 pound lifting capacity
- ☀ Shades are raised and lowered by means of a continuous loop bead chain
- ☀ The standard Hem Bar will be extruded aluminum and completely enclosed in a RF welded Hem Pocket
- ☀ Side Channels are extruded aluminum with synthetic pile inserts to eliminate light leakage
- ☀ Channels available in Anodized or White, Black
- ☀ Optional Spring assist clutch reduces pull force allowing easy lifting of larger shades – determined by size of overall shade
- ☀ Motorization options available
- ☀ GC to provide adequate blocking for proper mounting of Shade Brackets and Side Channels