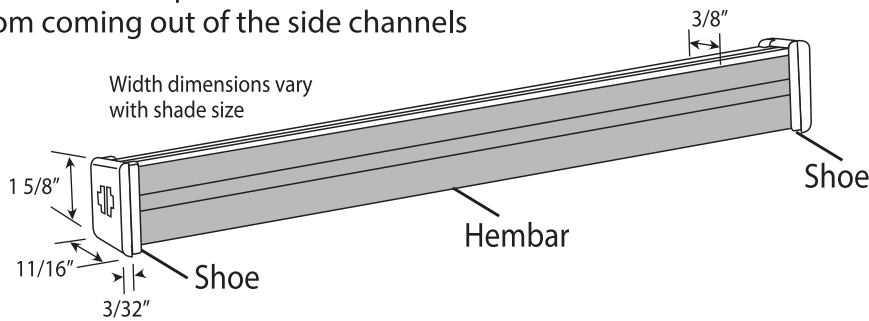


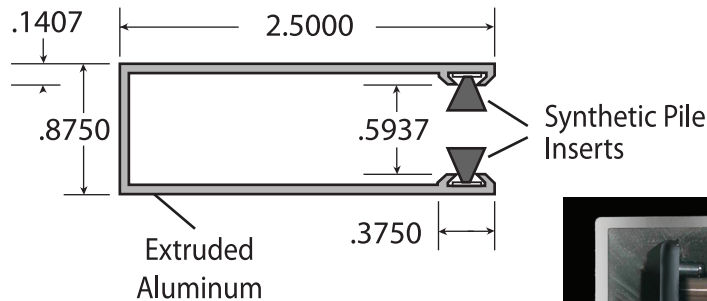
SBAHB Hembar

- * Heavy Duty Extruded Aluminum prevents bowing or warping
- * Suntech Shoes prevent the Hembar from coming out of the side channels

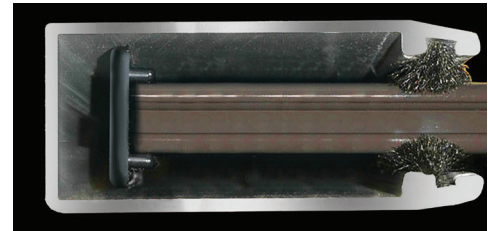


SBSC2 Side Channel

- * Extruded Aluminum with synthetic pile inserts to eliminate light leakage
- * Standard color choices are Black, White, or Anodized Aluminum
- * Custom Powder Coated colors available



Hembar Shoe
Locks into Channel:



SBCT1 Chain Tensioner

- * Easily mounted inside window casing or on wall face
- * Spring loaded clasp to limit movement if it's detached from wall
- * Available in Black or White

