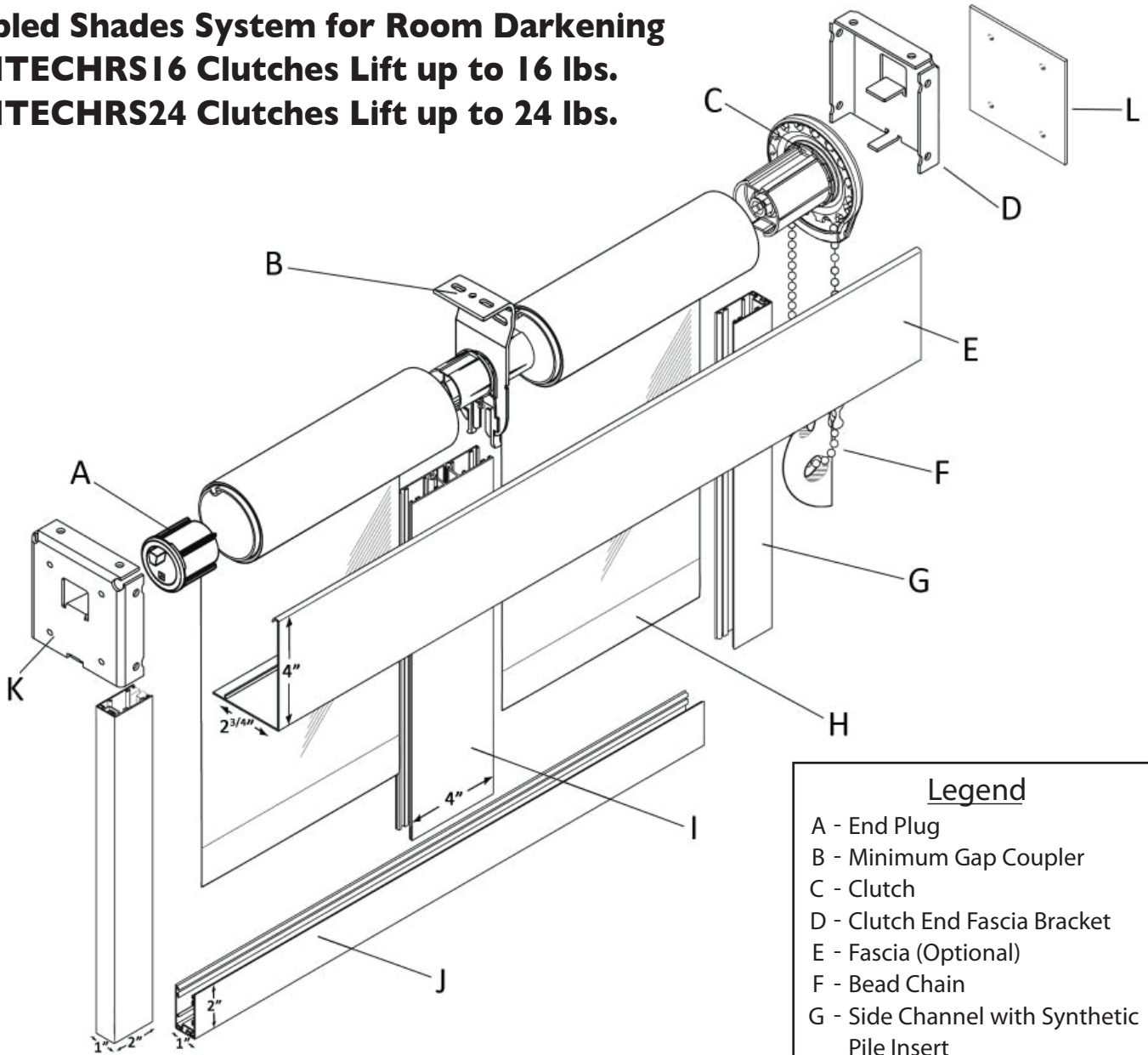


Coupled Shades System for Room Darkening
SUNTECHRS16 Clutches Lift up to 16 lbs.
SUNTECHRS24 Clutches Lift up to 24 lbs.



Legend	
A	End Plug
B	Minimum Gap Coupler
C	Clutch
D	Clutch End Fascia Bracket
E	Fascia (Optional)
F	Bead Chain
G	Side Channel with Synthetic Pile Insert
H	RF Welded Hem Pocket
I	Center Channel
J	Sill Channel with Synthetic Pile Insert
K	End Cap

- ☀ Two or more individual shades can be connected and operated by a single clutch mechanism.
- ☀ Adjustable leveling screw allows for precise leveling of shades.
- ☀ The number of shade bands is based on shade size and fabric selection.
- ☀ Side and sill channels and center channel are extruded aluminum with synthetic pile inserts to eliminate light leakage.
- ☀ Motorization options available.